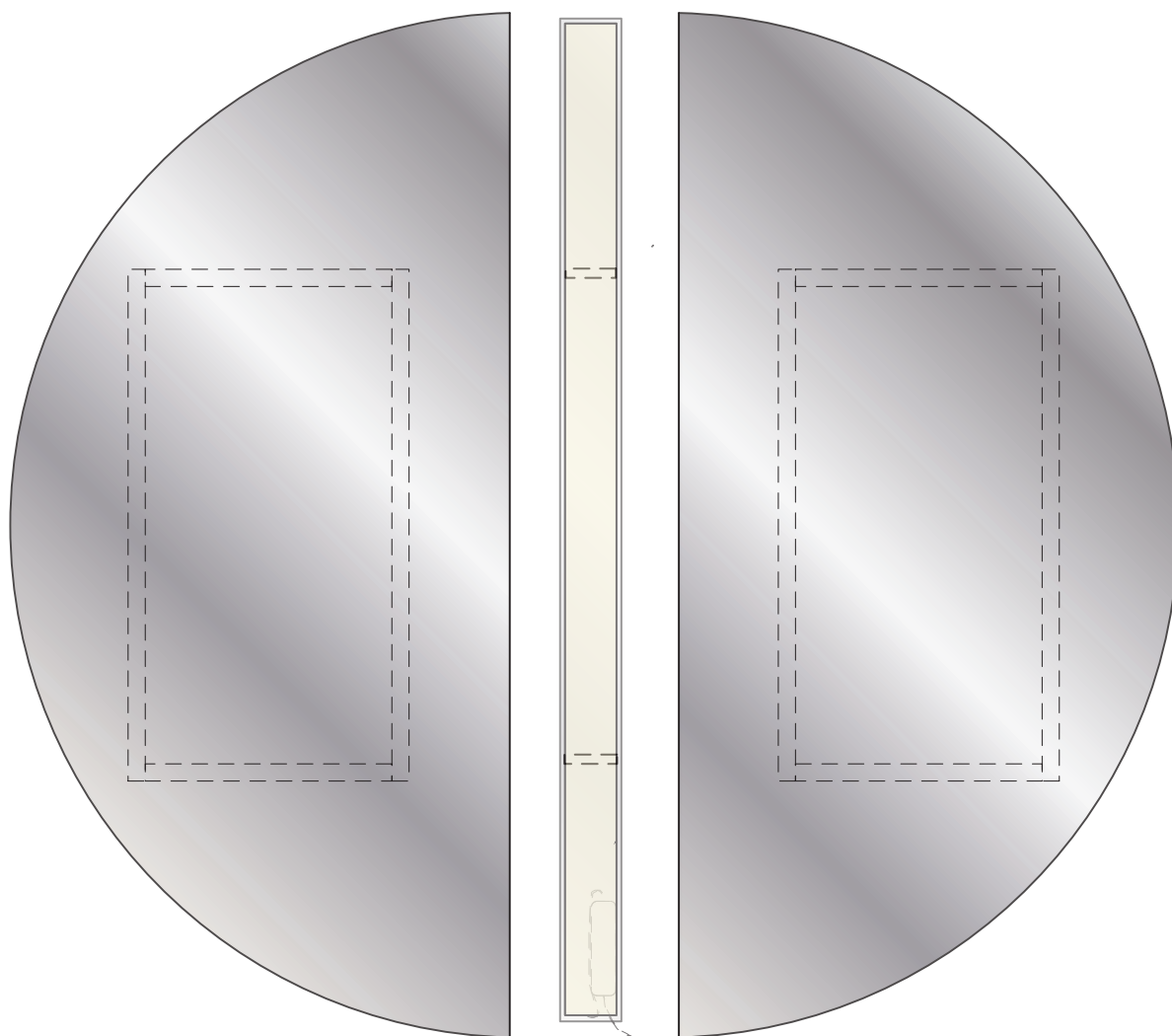
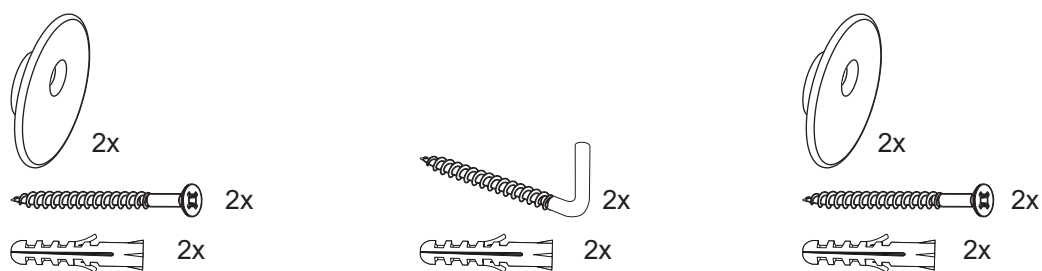


**LUNA L Light corner**  
2869.690

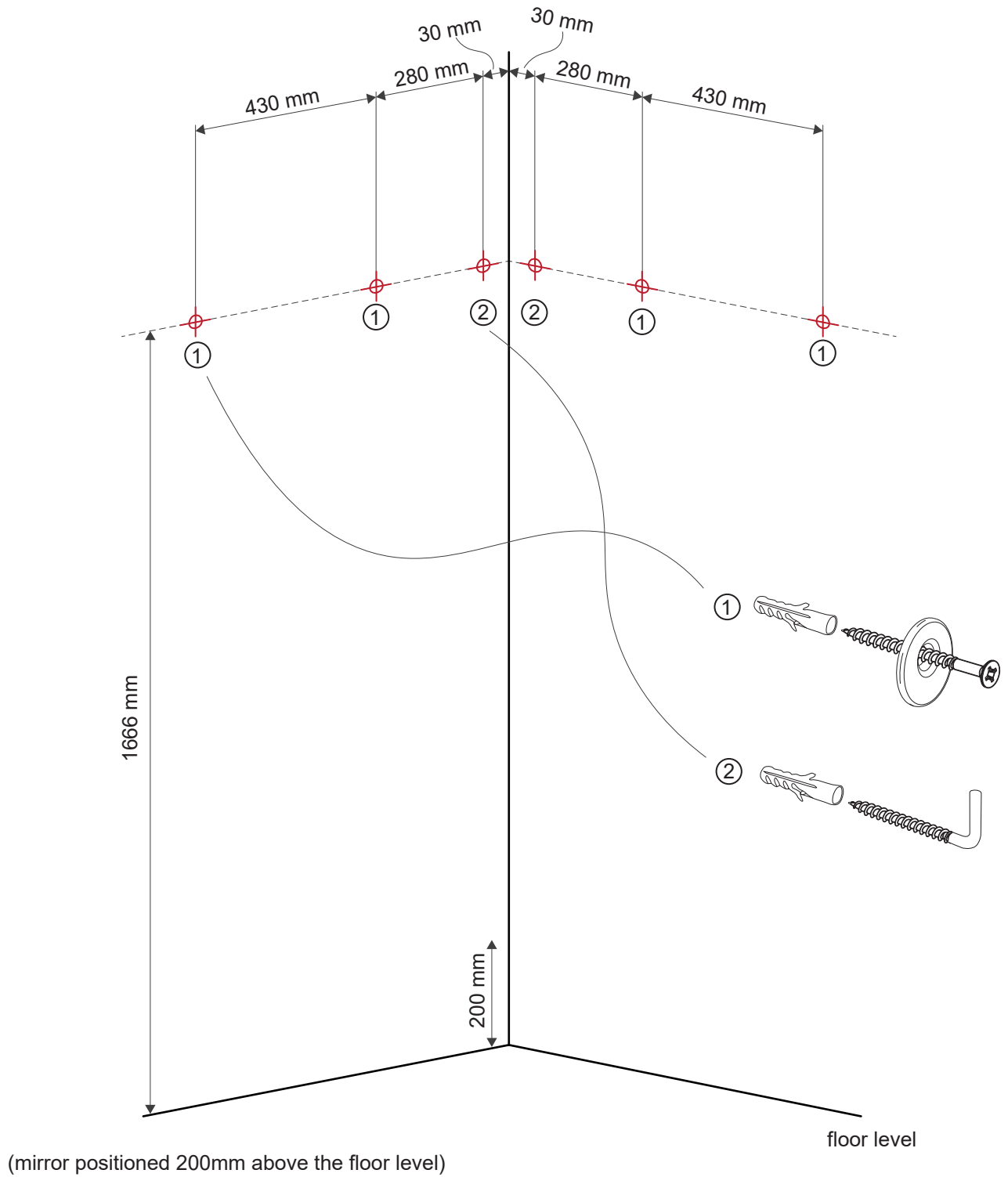


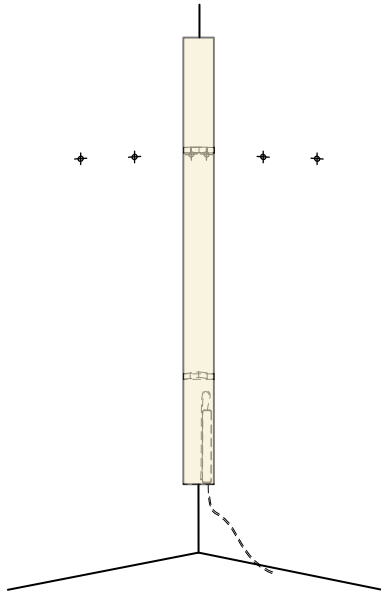
This manual can be found on the product page  
[deknudtmirrors.com](https://deknudtmirrors.com) | Products | Luna L Light corner | scroll to **INSTRUCTION MANUAL**

suspension accessories delivered with the mirror

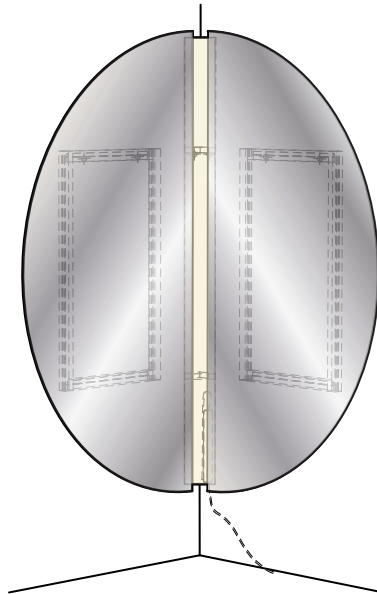


mark the suspension point on your wall  
drill holes and place the plugs, washers and screws or plugs and hooks

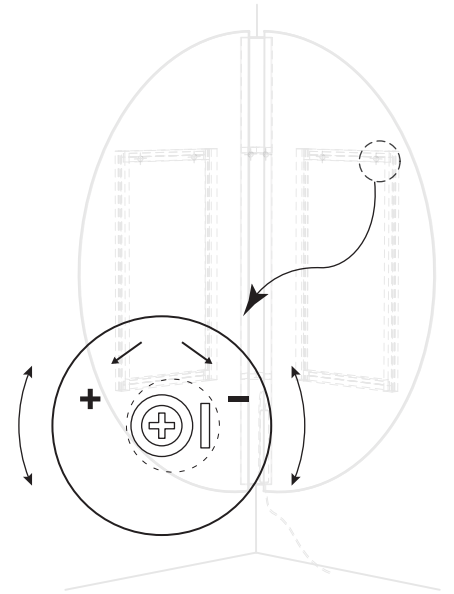




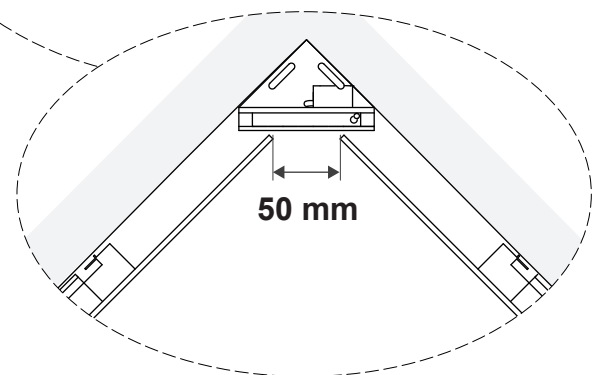
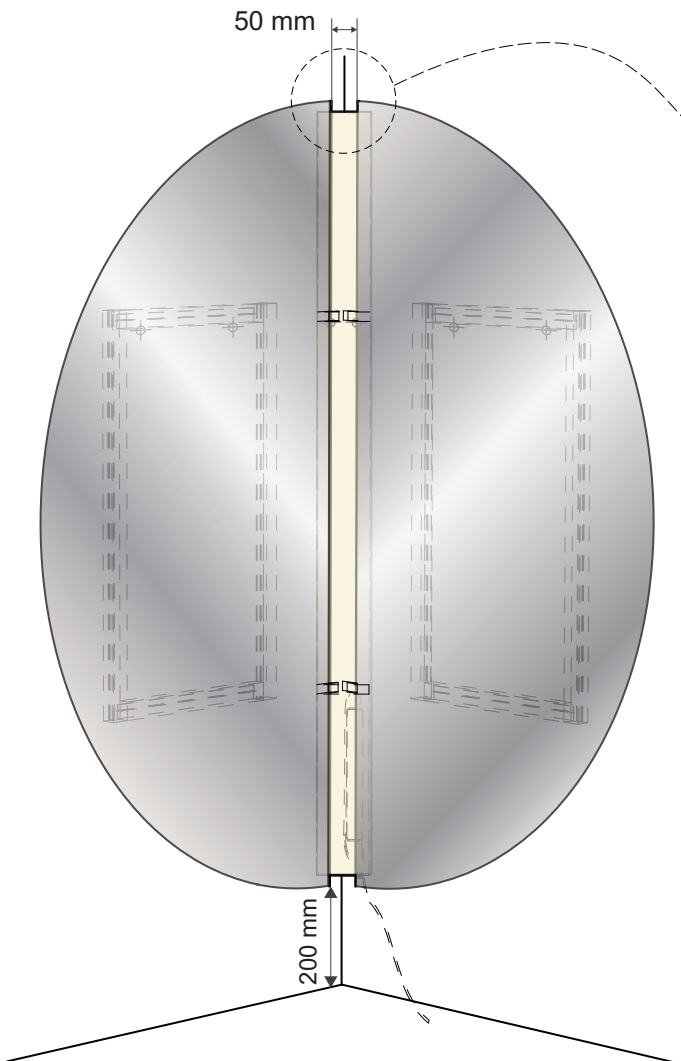
place the central element on the hooks making sure the hooks are inserted in the slots



place the 2 mirrors on the washers



by turning the washers you can slightly adjust the level of the mirrors



slide the mirrors in order to leave a **50mm gap** and show the central element